

HUBER+SUHNER® OMNI ANTENNA FOR WIRELESS COMMUNICATION



SOA 5600/360/3/20/V

Technical Data

Electrical Properties

| | |
|---------------------------|-------------------|
| Frequency range | 5150 - 5875 MHz |
| Impedance | 50 Ω |
| VSWR | 1.5 |
| Polarization | linear, vertical |
| Gain | 3.0 dBi |
| 3 dB beamwidth horizontal | 360° |
| 3 dB beamwidth vertical | 25° |
| Downtilt | 20° |
| Max. power | 75 W (CW) at 25°C |

Mechanical Properties

| | |
|-----------------------------|-----------------------------------|
| Dimensions | Ø 86 x 43 mm (Ø 3.39" x 1.69") |
| Weight | 0.3 kg (0.66 lbs.) |
| Housing material | Aluminium |
| Radome material | ASA |
| Radome color | RAL 7035 (light-grey) |
| Operating temperature range | - 40°C to + 80°C |
| Storage temperature range | - 40°C to + 80°C |
| Windload | 10 N at 160km/h (100mph) |

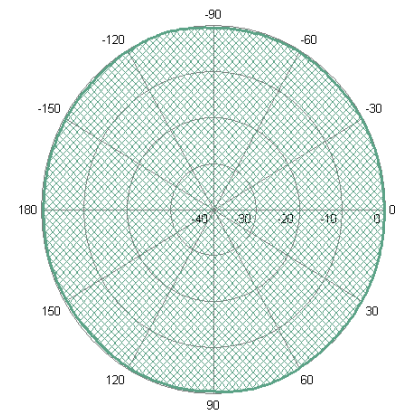
Available Types

| Article no. | |
|------------------------------|-----------------------|
| 1356.17.0006 | 23028910 N female |
| 1356.19.0006 | 23034149 SMA female |

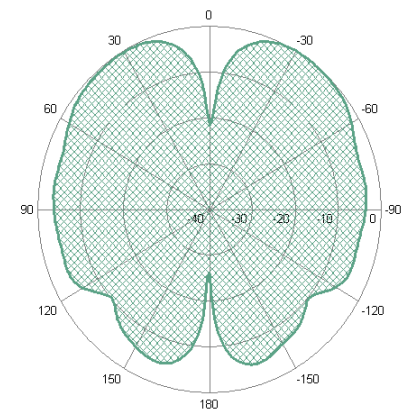
Mounting Hardware

Wall mounting material included.

Radiation Pattern



horizontal

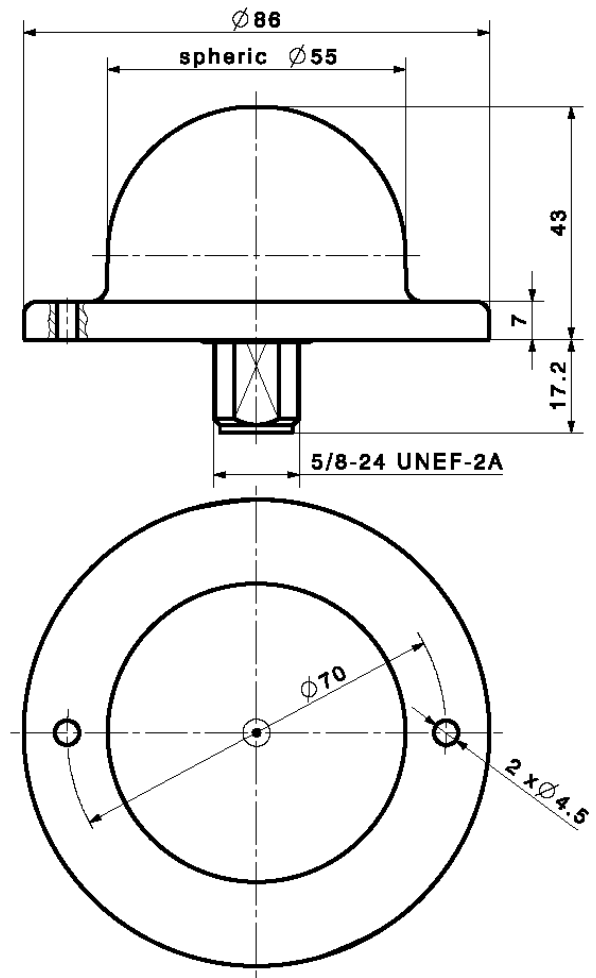


vertical

HUBER+SUHNER® OMNI ANTENNA FOR WIRELESS COMMUNICATION

SOA 5600/360/3/20/V

Dimensions (mm)



Mounting and security instructions see HUBER+SUHNER document number 01.02.0777.
The document can be ordered at HUBER+SUHNER AG, Switzerland.

HUBER+SUHNER group is certified according to ISO 9001 and ISO 14001.

WAIVER!
While the information contained has been carefully compiled to the best of our present knowledge, it is not intended as representation or warranty of any kind on our part regarding the fitness of the products concerned for any particular use or purpose and neither shall any statement contained herein be construed as a recommendation to infringe any industrial property rights or as a license to use any such rights. The fitness of each product for any particular purpose must be checked beforehand with our specialists.

HUBER+SUHNER
HUBER+SUHNER AG
Wired Solutions + Networks
Communication + Power Networks
CH-9100 Herisau, Switzerland
Tel.: +41 (0)71 353 41 11
Fax: +41 (0)71 353 47 51
www.hubersuhner.com

Document no.: 01.02.0911
Issue no.: 4
Supersedes: 12.2003

Uncontrolled Copy
Issued/Checked/Released: 4159/4174/12.2003
Last amended: 4159

[Back to Main Menu](#)