

# HUBER+SUHNER® PLANAR ANTENNA FOR WIRELESS COMMUNICATION



## SPA 5600/60/10/0/DS

### Technical Data

#### Electrical Properties

Frequency range	5150 - 5875 MHz
Impedance	50 Ω
VSWR	1.5
Polarization	dual linear, ± 45° slant
Gain	10 dBi
3 dB beamwidth horizontal	60°
3 dB beamwidth vertical	60°
Downtilt	0°
Isolation between ports	25dB
Front to back ratio	22 dB
Max. power	75 W (CW) at 25°C

#### Mechanical Properties

Dimensions	101 x 95 x 32 mm (3.98" x 3.74" x 1.26")
Weight	0.11 kg (0.24 lbs.)
Housing material	ASA and aluminium
Radome material	ASA
Radome color	RAL 7035 (light-grey)
Mounting bracket color	RAL 7042 (dark-grey)
Operating temperature range	- 40°C to + 80°C
Storage temperature range	- 40°C to + 80°C
Windload	15 N at 160km/h (100mph)

#### Available Types

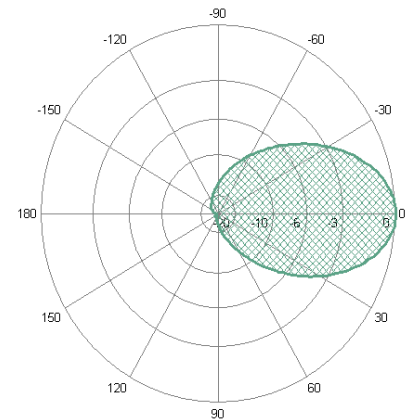
Article no.	Article no.	
<a href="#">1356.19.0009</a>	84003542	SMA female
<a href="#">1356.26.0009</a>	84003545	TNC female

#### Mounting Hardware

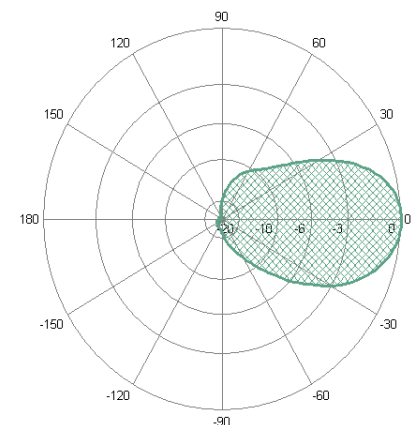
Article no.	Article no.	
<a href="#">9091.99.0029</a>	22649576	mast mounting accessory
<a href="#">9091.99.0080</a>	22652651	mast mounting and side/down-tilt accessory

Wall mounting material included.

#### Radiation Pattern



horizontal

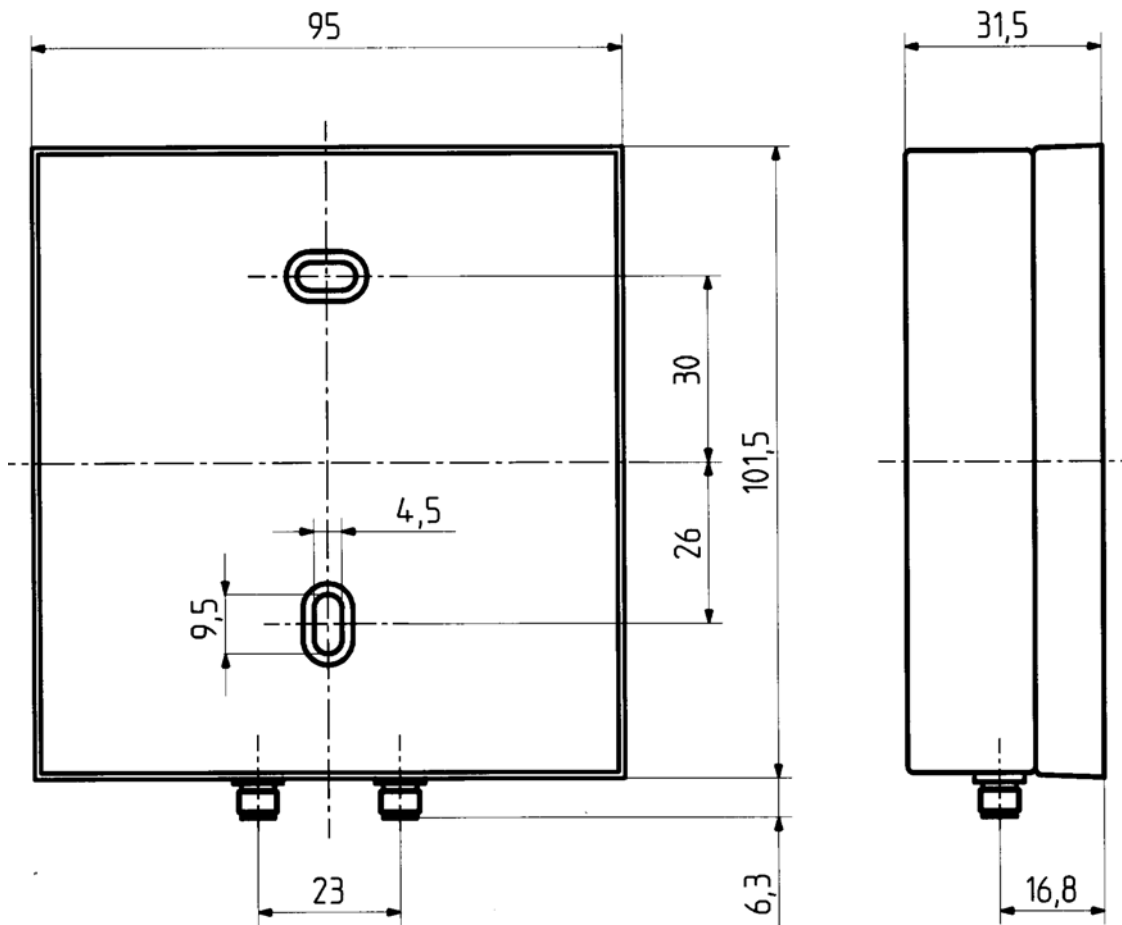


vertical

# HUBER+SUHNER® PLANAR ANTENNA FOR WIRELESS COMMUNICATION

## SPA 5600/60/10/0/DS

### Dimensions (mm)



Mounting and security instructions see HUBER+SUHNER document number 01.02.0777.  
The document can be ordered at HUBER+SUHNER AG, Switzerland.

**HUBER+SUHNER group is certified according to ISO 9001 and ISO 14001.**

**WAIVER!**  
While the information contained has been carefully compiled to the best of our present knowledge, it is not intended as representation or warranty of any kind on our part regarding the fitness of the products concerned for any particular use or purpose and neither shall any statement contained herein be construed as a recommendation to infringe any industrial property rights or as a license to use any such rights. The fitness of each product for any particular purpose must be checked beforehand with our specialists.



HUBER+SUHNER AG  
Wired Solutions + Networks  
Communication + Power Networks  
CH-9100 Herisau, Switzerland  
Tel.: +41 (0)71 353 41 11  
Fax: +41 (0)71 353 47 51  
www.hubersuhner.com

Document no.: 01.02.0988  
Issue no.: 2  
Supersedes: 12.2003

**Uncontrolled Copy**  
Issued/Checked/Released: 4159/4656/12.2003  
Last amended: 4159

