



# HUBER+SUHNER® OMNI ANTENNA FOR WIRELESS COMMUNICATION

**SOA 2400/360/8/0/V**



## Technical Data

### Electrical Properties

Frequency range	2400 - 2500 MHz
Impedance	50 $\Omega$
VSWR	2.0
Polarization	linear, vertical
Gain	7.5 dBi
3 dB beamwidth horizontal	360°
3 dB beamwidth vertical	17.5°
Downtilt	0°
Max. power	25 W (CW) at 50°C

### Mechanical Properties

Dimensions	$\varnothing$ 17 x 510 mm ( $\varnothing$ 0.67" x 20.08")
Weight	0.2 kg (0.44 lbs.)
Radome material	pulltruded epoxy fibre glass
Radome color	white
Operating temperature range	- 40°C to + 80°C
Storage temperature range	- 40°C to + 80°C
Windload	10 N at 160km/h (100mph)

### Available Types

[1324.26.0038](#)

### Article no.

23013578 | TNC female

### Mounting Hardware

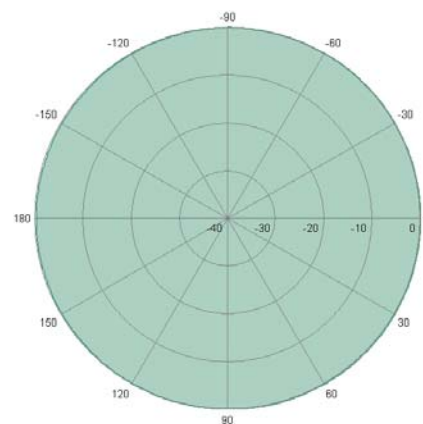
Wall and mast mounting bracket (1 metal band, 2 screws) included,  
mast diameter 35-55 mm (1.38" - 2.16")

### Documents

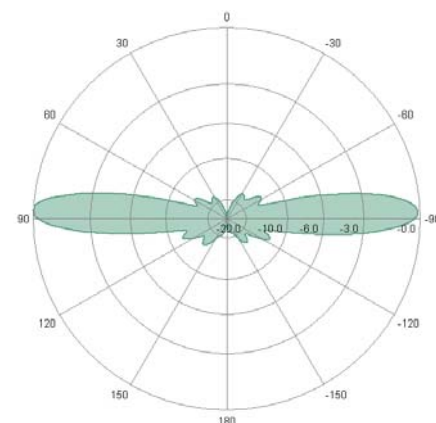
[01.02.0777](#)

security instruction

### Radiation Pattern



horizontal



vertical

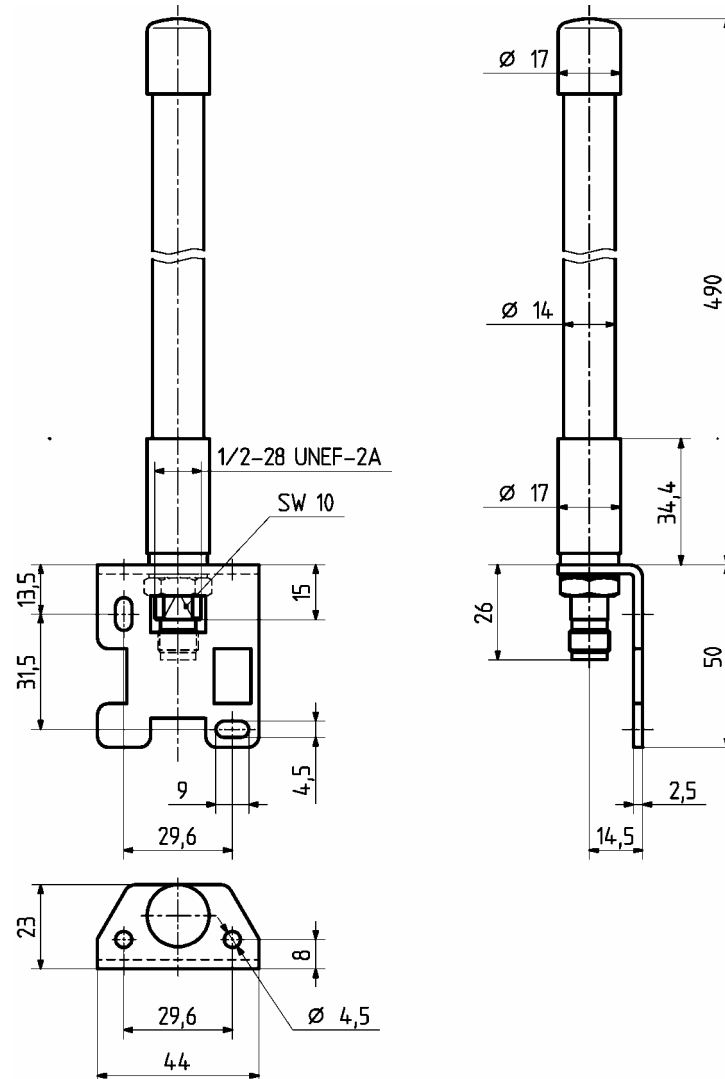




# HUBER+SUHNER® OMNI ANTENNA FOR WIRELESS COMMUNICATION

**SOA 2400/360/8/0/V**

Dimensions (mm)



**HUBER+SUHNER group is certified according to ISO 9001 and ISO 14001.**

WAIVER!  
While the information contained has been carefully compiled to the best of our present knowledge, it is not intended as representation or warranty of any kind on our part regarding the fitness of the products concerned for any particular use or purpose and neither shall any statement contained herein be construed as a recommendation to infringe any industrial property rights or as a license to use any such rights. The fitness of each product for any particular purpose must be checked beforehand with our specialists.



HUBER+SUHNER AG  
Mobile Communications + Electronics Sector  
Communication Equipment Components  
CH-9100 Herisau, Switzerland  
Tel.: +41 (0)71 353 41 11  
Fax: +41 (0)71 353 47 51  
www.hubersuhner.com

Document no.: 01.02.0912  
Issue no.: 6  
Supersedes: 10.2004

**Uncontrolled Copy**  
Issued/Checked/Released: 4159/4417/10.2004  
Last amended: 4159

