



HUBER+SUHNER® PLANAR ANTENNA FOR WIRELESS COMMUNICATION

SPA 2400/27/17/0/V

Technical Data

Electrical Properties

Frequency range	2300 - 2500 MHz
Impedance	50 Ω
VSWR	1.5
Polarization	linear, vertical
Gain	16.5 dBi
3 dB beamwidth horizontal	27°
3 dB beamwidth vertical	25°
Downtilt	0°
Front to back ratio	30 dB
Max. power	50 W (CW) at 25°C

Mechanical Properties

Dimensions	340 x 275 x 20 mm (13.89" x 10.83" x 0.79")
Weight	1.0 kg (2.21 lbs.)
Housing material	aluminium anodized
Radome material	ASA
Radome color	RAL 7035 (light grey)
Operating temperature range	- 40°C to + 80°C
Storage temperature range	- 40°C to + 80°C
Windload	135 N at 160km/h (100mph)

Available Types

	Article no.	
1324.17.0024	23000940	N male pigtail (RG 58 C/U, 0.45 m) and female adaptor
1324.19.0006	22651195	SMA female

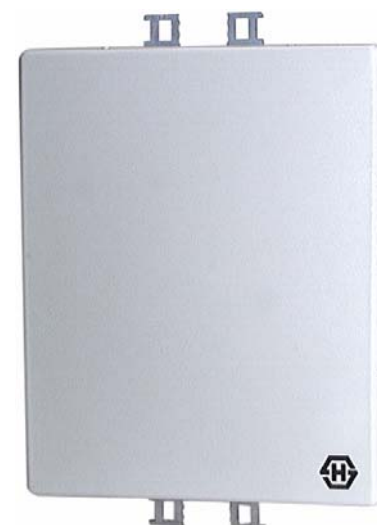
Mounting Hardware

	Article no.	
9091.99.0076	22652443	downtilt bracket
9091.99.0081	22652639	sidetilt bracket

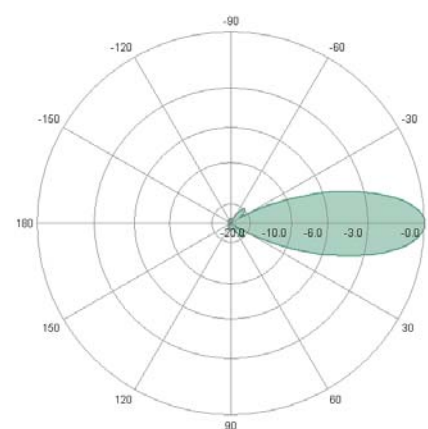
Wall and mast mounting material (2 metal bands) included,
mast diameter 54-100 mm (2.13" - 3.94")

Documents

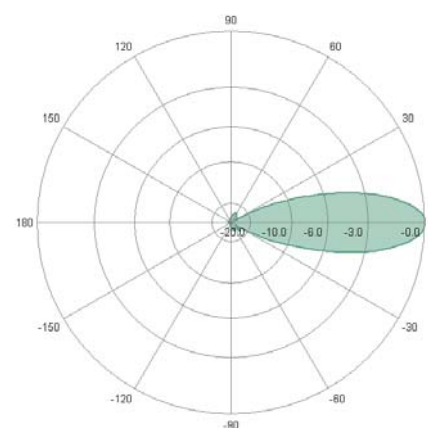
01.02.0777	security instruction
01.02.1516	mounting instruction



Radiation Pattern



horizontal



vertical

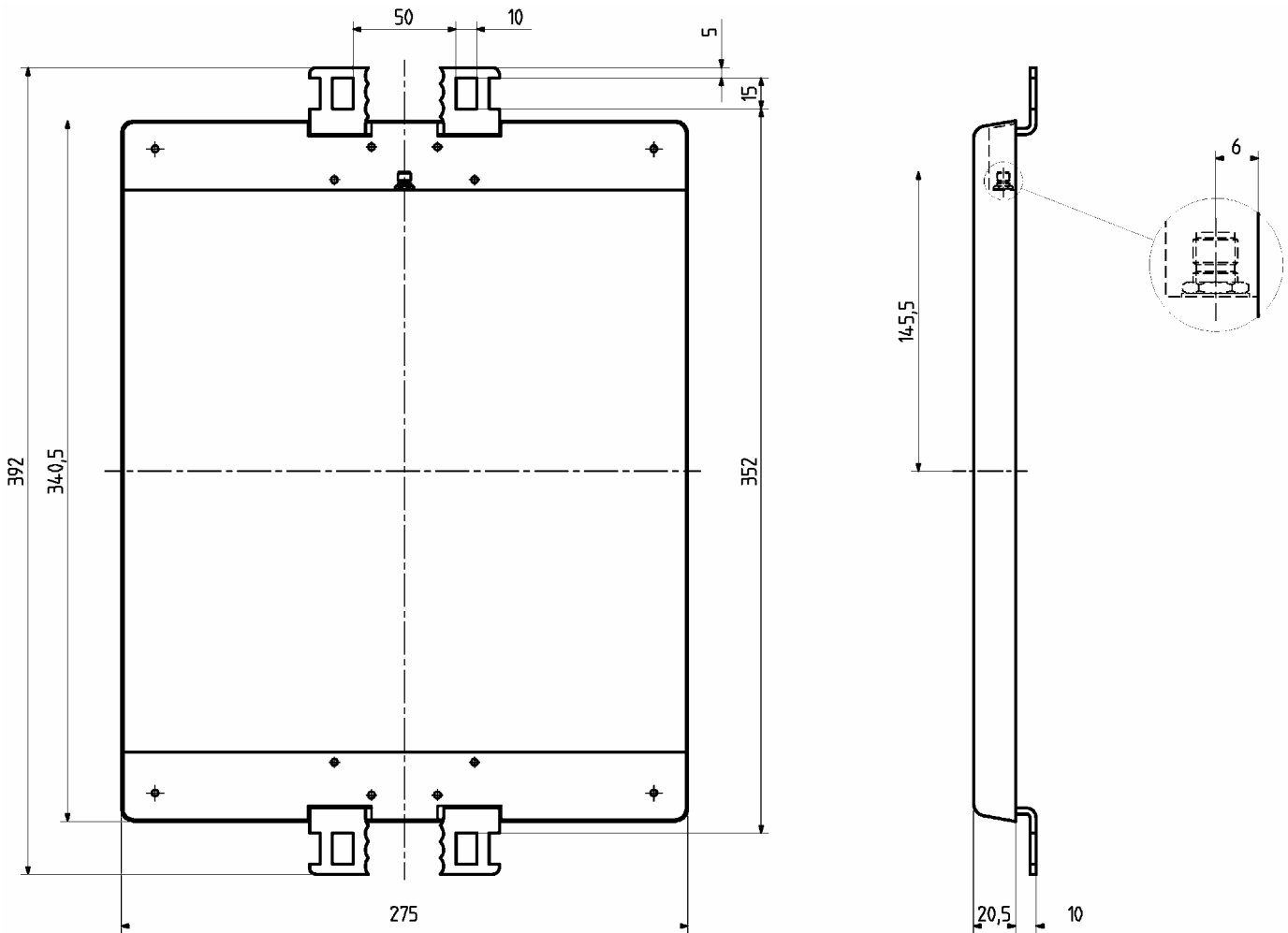




HUBER+SUHNER® PLANAR ANTENNA FOR WIRELESS COMMUNICATION

SPA 2400/27/17/0/V

Dimensions (mm)



HUBER+SUHNER group is certified according to ISO 9001 and ISO 14001.

WAIVER!

While the information contained has been carefully compiled to the best of our present knowledge, it is not intended as representation or warranty of any kind on our part regarding the fitness of the products concerned for any particular use or purpose and neither shall any statement contained herein be construed as a recommendation to infringe any industrial property rights or as a license to use any such rights. The fitness of each product for any particular purpose must be checked beforehand with our specialists.



HUBER+SUHNER AG

Mobile Communications + Electronics Sector

Communication Equipment Components

CH-9100 Herisau, Switzerland

Tel.: +41 (0)71 353 41 11

Fax: +41 (0)71 353 47 51

www.hubersuhner.com

Document no.: 01.02.0916

Issue no.: 5

Supersedes: 10.2004

Uncontrolled Copy

Issued/Checked/Released: 4159/4417/10.2004

Last amended: 4159

