



HUBER+SUHNER® PLANAR ANTENNA FOR WIRELESS COMMUNICATION



SPA 2400/70/7/0/Rx30 ACTIVE ANTENNA

Technical Data

Electrical Properties

Frequency range	2400 - 2500 MHz
Impedance	50 Ω
VSWR	2.0
Polarization Rx band	linear, + 45° slant
Polarization Tx band	linear, - 45° slant
Gain Rx band	29.0 dBi
Gain Tx band	6.5 dBi
3 dB beamwidth horizontal	70°
3 dB beamwidth vertical	65°
Downtilt	0°
Front to back ratio	20 dB
Max. power	+ 16 dBm
DC voltage on center conductor	min. + 7 V, max. + 20 V
DC current consumption	20 mA

Mechanical Properties

Dimensions	101 x 95 x 32 mm (3.98" x 3.74" x 1.26")
Weight	0.11 kg (0.24 lbs.)
Housing material	ASA and aluminium
Radome material	ASA
Radome color	RAL 7035 (light grey)
Mounting bracket color	RAL 7042 (dark grey)
Operating temperature range	- 40°C to + 80°C
Storage temperature range	- 40°C to + 80°C
Windload	15 N at 160km/h (100mph)

Available Types

	Article no.	
1324.19.0037	23014262	SMA female
1324.26.0037	23014263	TNC female

Mounting Hardware

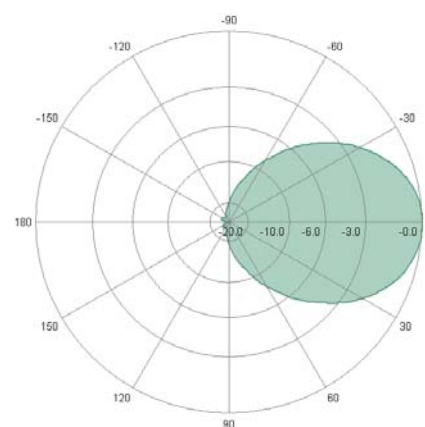
	Article no.	
9090.99.0020	23039383	DC-set
9091.99.0029	22649576	mast mounting accessory
9091.99.0080	22652651	mast mounting and sidetilt accessory

Wall mounting material included.

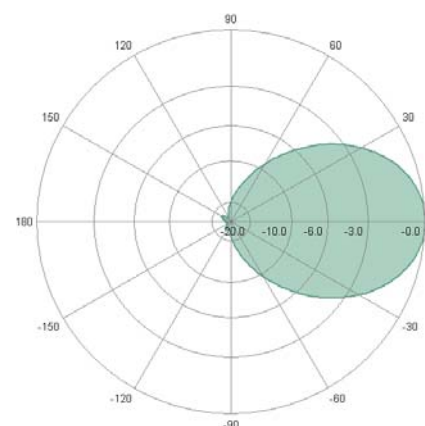
Documents

01.02.0777	security instruction
01.02.1509	mounting instruction
01.02.1507	mounting instruction (DC-Set)

Radiation Pattern



horizontal



vertical

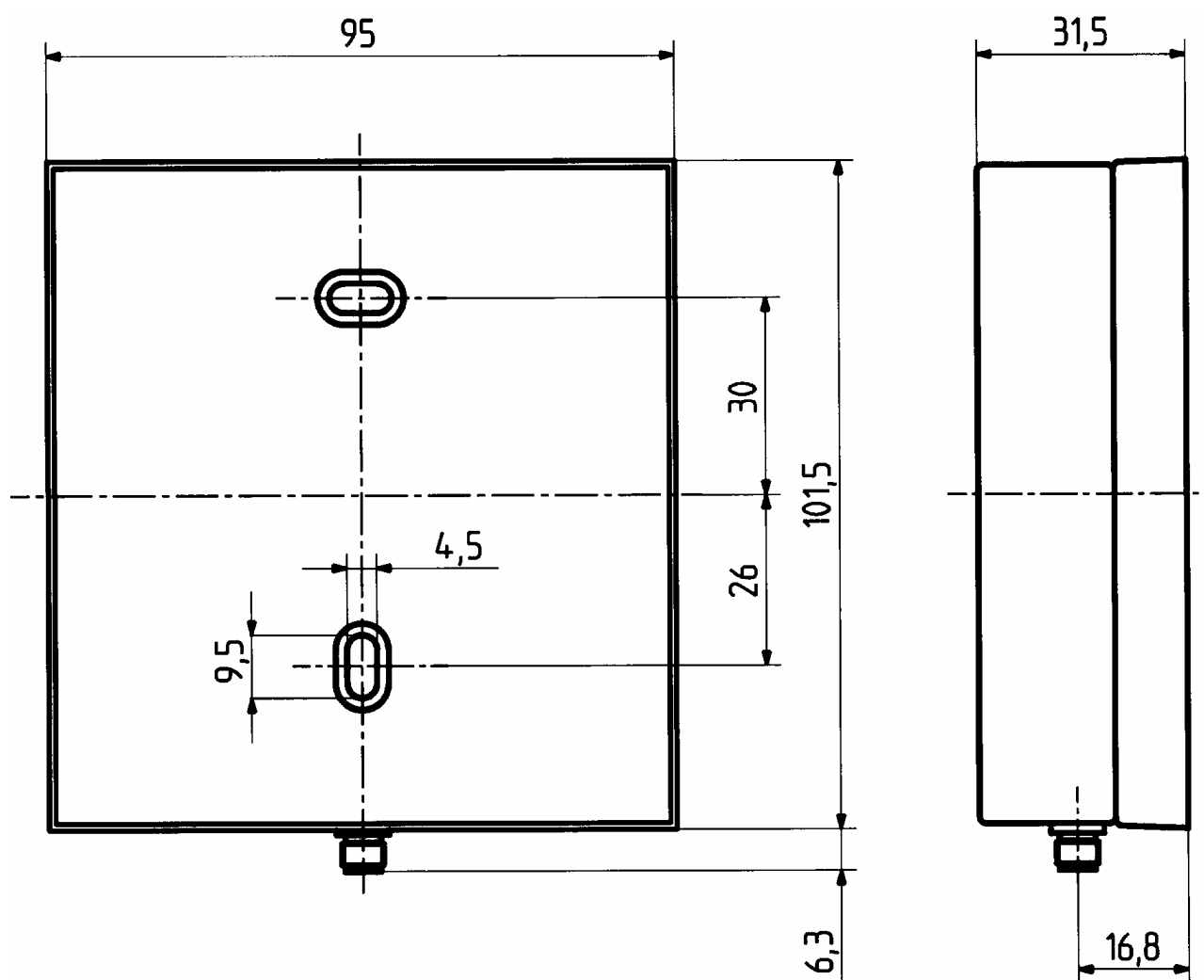




HUBER+SUHNER® PLANAR ANTENNA FOR WIRELESS COMMUNICATION

SPA 2400/70/7/0/Rx30

Dimensions (mm)



HUBER+SUHNER group is certified according to ISO 9001 and ISO 14001.

WAIVER!

While the information contained has been carefully compiled to the best of our present knowledge, it is not intended as representation or warranty of any kind on our part regarding the fitness of the products concerned for any particular use or purpose and neither shall any statement contained herein be construed as a recommendation to infringe any industrial property rights or as a license to use any such rights. The fitness of each product for any particular purpose must be checked beforehand with our specialists.



HUBER+SUHNER AG
Mobile Communications + Electronics Sector
Communication Equipment Components
CH-9100 Herisau, Switzerland
Tel.: +41 (0)71 353 41 11
Fax: +41 (0)71 353 47 51
www.hubersuhner.com

Document no.: 01.02.0860

Issue no.: 5

Supersedes: 10.2004

Uncontrolled Copy

Issued/Checked/Released: 4159/4417/10.2004

Last amended: 4159

