



HUBER+SUHNER® PLANAR ANTENNA FOR WIRELESS COMMUNICATION



SPA 2400/70/9/0/CP

Technical Data

Electrical Properties

| | |
|---------------------------|-------------------------|
| Frequency range | 2300 - 2500 MHz |
| Impedance | 50 Ω |
| VSWR | 1.5 |
| Polarization | circular, left or right |
| Gain | 8.5 dBi |
| 3 dB beamwidth horizontal | 70° |
| 3 dB beamwidth vertical | 65° |
| Downtilt | 0° |
| Front to back ratio | 20 dB |
| Axial ratio | 3 dB |
| Max. power | 75 W (CW) at 25°C |

Mechanical Properties

| | |
|-----------------------------|---|
| Dimensions | 101 x 95 x 32 mm (3.98" x 3.74" x 1.26") |
| Weight | 0.11 kg (0.24 lbs.) |
| Housing material | ASA and aluminium |
| Radome material | ASA |
| Radome color | RAL 7035 (light grey) |
| Mounting bracket color | RAL 7042 (dark grey) |
| Operating temperature range | - 40°C to + 80°C |
| Storage temperature range | - 40°C to + 80°C |
| Windload | 15 N at 160km/h (100mph) |

Available Types

| Article no. | |
|-------------------------------------|---------------------|
| 1324.19.0008 (rhcp) | 22650442 SMA female |
| 1324.19.0007 (lhcp) | 22650456 SMA female |
| 1324.26.0002 (rhcp) | 22651188 TNC female |

Mounting Hardware

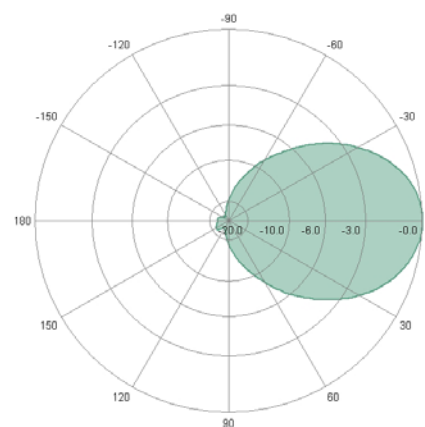
| Article no. | |
|------------------------------|---|
| 9091.99.0029 | 22649576 mast mounting accessory |
| 9091.99.0080 | 22652651 mast mounting and sidetilt accessory |

Wall mounting material included.

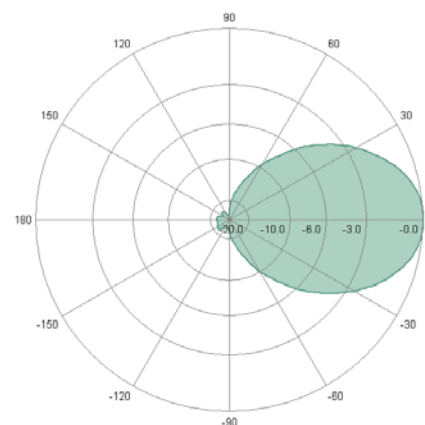
Documents

| | |
|----------------------------|----------------------|
| 01.02.0777 | security instruction |
| 01.02.1509 | mounting instruction |

Radiation Pattern



horizontal



vertical

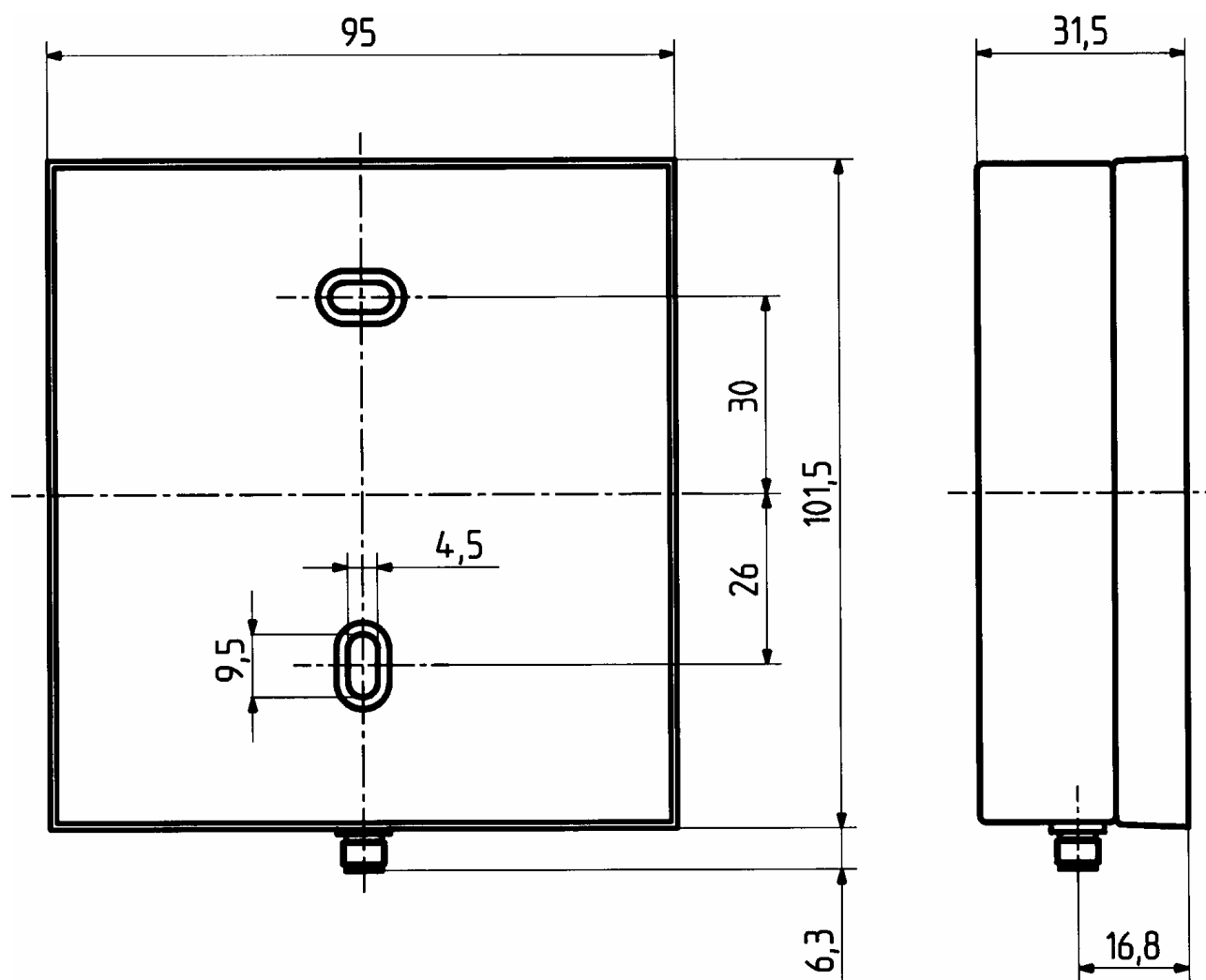




HUBER+SUHNER® PLANAR ANTENNA FOR WIRELESS COMMUNICATION

SPA 2400/70/9/0/CP

Dimensions (mm)



HUBER+SUHNER group is certified according to ISO 9001 and ISO 14001.

WAIVER!

While the information contained has been carefully compiled to the best of our present knowledge, it is not intended as representation or warranty of any kind on our part regarding the fitness of the products concerned for any particular use or purpose and neither shall any statement contained herein be construed as a recommendation to infringe any industrial property rights or as a license to use any such rights. The fitness of each product for any particular purpose must be checked beforehand with our specialists.



HUBER+SUHNER AG
Mobile Communications + Electronics Sector
Communication Equipment Components
CH-9100 Herisau, Switzerland
Tel.: +41 (0)71 353 41 11
Fax: +41 (0)71 353 47 51
www.hubersuhner.com

Document no.: 01.02.0863

Issue no.: 6

Supersedes: 10.2004

Uncontrolled Copy

Issued/Checked/Released: 4159/4417/10.2004

Last amended: 4159

