



HUBER+SUHNER® PLANAR ANTENNA FOR WIRELESS COMMUNICATION



SPA 2400/75/8/0/V

Technical Data

Electrical Properties

Frequency range	2300 - 2800 MHz
Impedance	50 Ω
VSWR	1.5
Polarization	linear, vertical
Gain	7.5 dBi
3 dB beamwidth horizontal	75°
3 dB beamwidth vertical	70°
Downtilt	0°
Front to back ratio	20 dB
Max. power	75 W (CW) at 25°C

Mechanical Properties

Dimensions	101 x 80 x 20 mm (3.97" x 3.15" x 0.79")
Weight	0.13 kg (0.29 lbs.)
Radome material	ASA
Radome color	RAL 7035 (light grey)
Operating temperature range	- 40°C to + 80°C
Storage temperature range	- 40°C to + 80°C
Windload	15 N at 160km/h (100mph)

Available Types

Article no.	Article no.	
1324.19.0032	23019483	SMA female
1324.26.0024	23002469	TNC female
1324.99.0007	23003467	TNC female reverse pigtail (RG 58 C/U, 0.3m)

Mounting Hardware

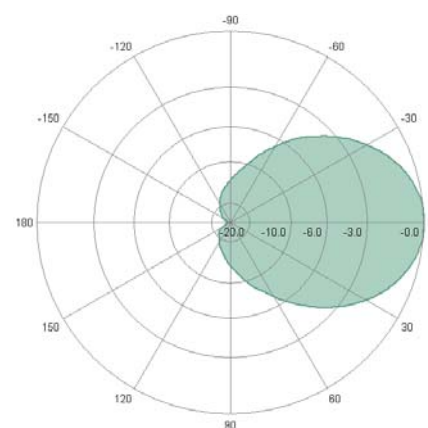
Article no.	Article no.	
9091.99.0191	84011560	Optional wall mounting bracket for railway applications.

Wall and mast mounting bracket (1 metal band) included, mast diameter 40-60 mm (1.57" – 2.36")

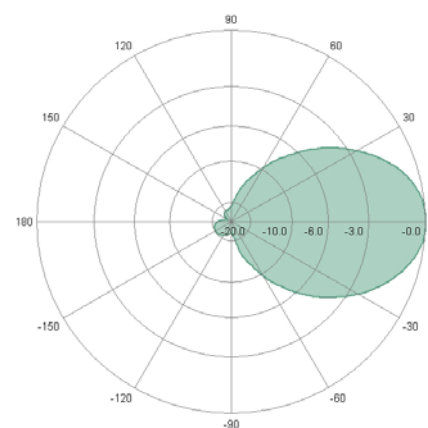
Documents

01.02.0777	security instruction
01.02.1033	mounting instruction

Radiation Pattern



horizontal



vertical

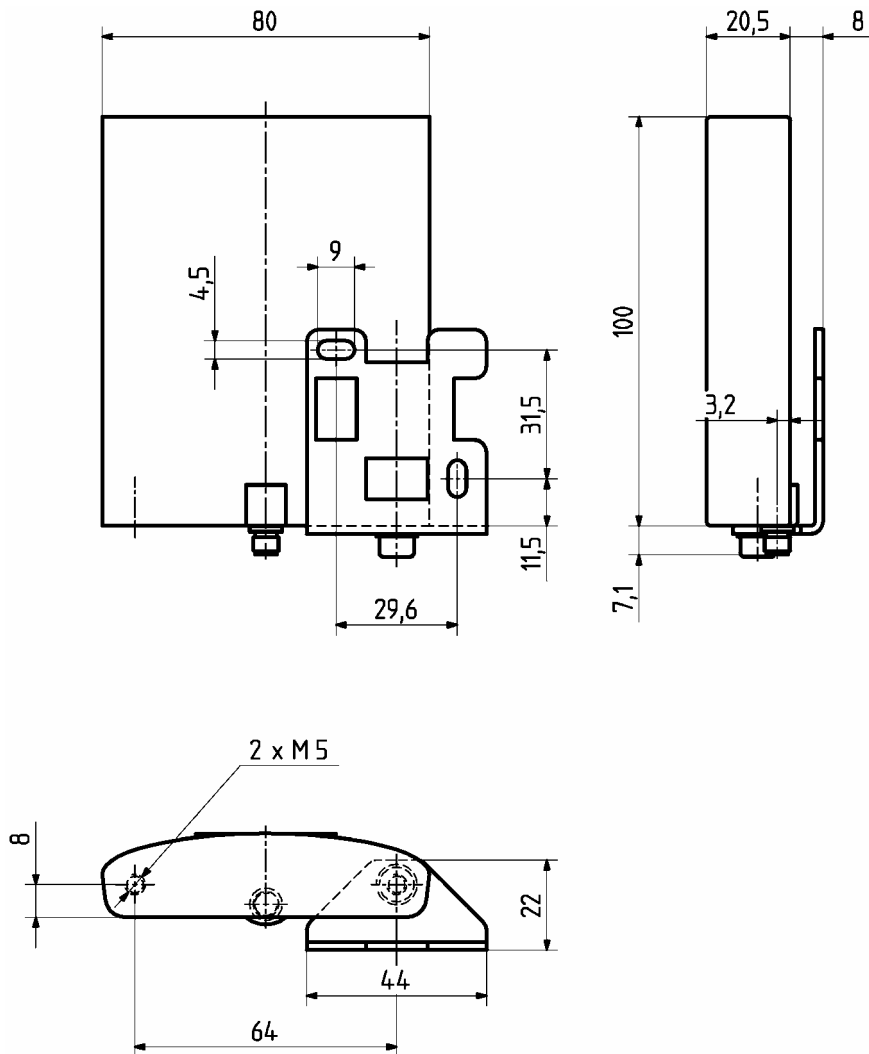




HUBER+SUHNER® PLANAR ANTENNA FOR WIRELESS COMMUNICATION

SPA 2400/75/8/0/V

Dimensions (mm)



HUBER+SUHNER group is certified according to ISO 9001 and ISO 14001.

WAIVER!

While the information contained has been carefully compiled to the best of our present knowledge, it is not intended as representation or warranty of any kind on our part regarding the fitness of the products concerned for any particular use or purpose and neither shall any statement contained herein be construed as a recommendation to infringe any industrial property rights or as a license to use any such rights. The fitness of each product for any particular purpose must be checked beforehand with our specialists.



HUBER+SUHNER AG

Mobile Communications + Electronics Sector

Communication Equipment Components

CH-9100 Herisau, Switzerland

Tel.: +41 (0)71 353 41 11

Fax: +41 (0)71 353 47 51

www.hubersuhner.com

Document no.: 01.02.0864

Issue no.: 7

Supersedes: 10.2004

Uncontrolled Copy

Issued/Checked/Released: 4159/4656/10.2004

Last amended:

4159

