



HUBER+SUHNER® PLANAR ANTENNA FOR WIRELESS COMMUNICATION



SPA 2400/75/9/0/V

Technical Data

Electrical Properties

Frequency range	2300 - 2500 MHz
Impedance	50 Ω
VSWR	1.5
Polarization	linear, vertical
Gain	8.5 dBi
3 dB beamwidth horizontal	75°
3 dB beamwidth vertical	60°
Downtilt	0°
Front to back ratio	20 dB
Max. power	75 W (CW) at 25°C

Mechanical Properties

Dimensions	101 x 95 x 32 mm (3.98" x 3.74" x 1.26")
Weight	0.11 kg (0.24 lbs.)
Housing material	ASA and aluminium
Radome material	ASA
Radome color	RAL 7035 (light grey)
Mounting bracket color	RAL 7042 (dark grey)
Operating temperature range	- 40°C to + 80°C
Storage temperature range	- 40°C to + 80°C
Windload	15 N at 160km/h (100mph)

Available Types

Article no.	Article no.	
1324.17.0006	22652578	N female pigtail (RG 58 C/U, 0.6m)
1324.17.0007	22652579	N female pigtail (RG 58 C/U, 1.83m)
1324.19.0002	22649580	SMA female
1324.26.0001	22651187	TNC female
1324.35.0001	84011333	QMA female

Mounting Hardware

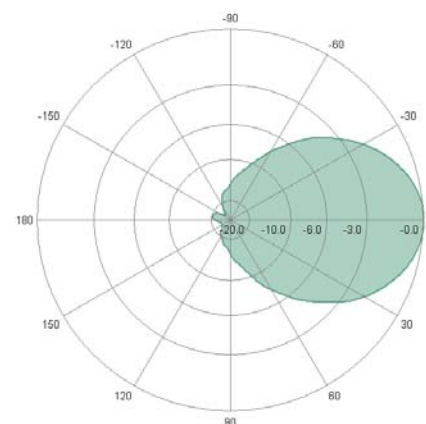
Article no.	Article no.	
9091.99.0029	22649576	mast mounting accessory
9091.99.0080	22652651	mast mounting and sidetilt accessory

Wall mounting material included.

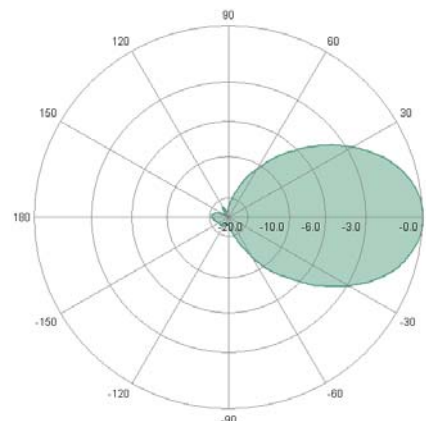
Documents

01.02.0777	security instruction
01.02.1509	mounting instruction

Radiation Pattern



horizontal



vertical

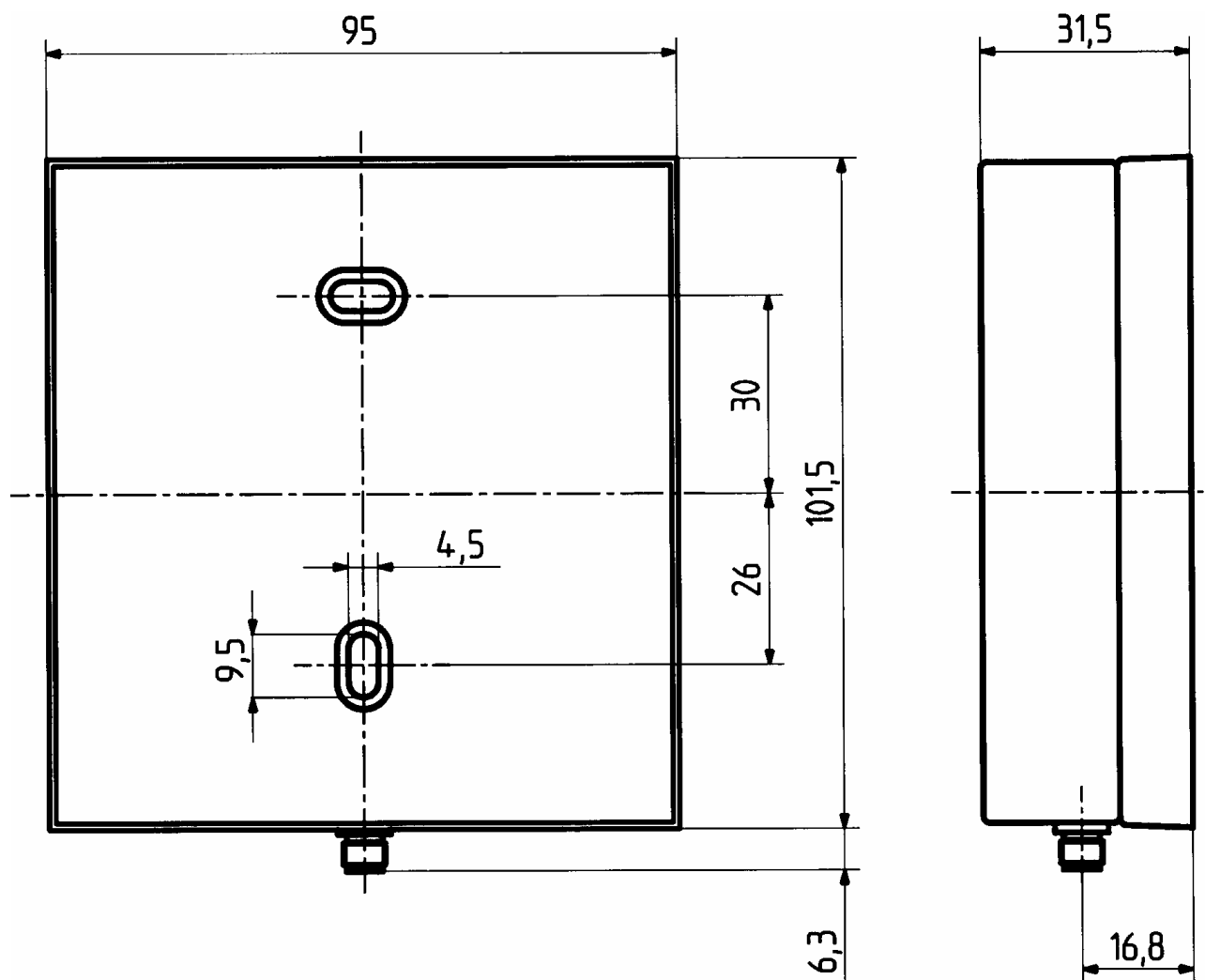




HUBER+SUHNER® PLANAR ANTENNA FOR WIRELESS COMMUNICATION

SPA 2400/75/9/0/V

Dimensions (mm)



HUBER+SUHNER group is certified according to ISO 9001 and ISO 14001.

WAIVER!

While the information contained has been carefully compiled to the best of our present knowledge, it is not intended as representation or warranty of any kind on our part regarding the fitness of the products concerned for any particular use or purpose and neither shall any statement contained herein be construed as a recommendation to infringe any industrial property rights or as a license to use any such rights. The fitness of each product for any particular purpose must be checked beforehand with our specialists.



HUBER+SUHNER AG
Mobile Communications + Electronics Sector
Communication Equipment Components
CH-9100 Herisau, Switzerland
Tel.: +41 (0)71 353 41 11
Fax: +41 (0)71 353 47 51
www.hubersuhner.com

Document no.: 01.02.0865

Issue no.: 6

Supersedes: 10.2004

Uncontrolled Copy

Issued/Checked/Released: 4159/4417/10.2004

Last amended: 4159

