



# HUBER+SUHNER® PLANAR ANTENNA FOR WIRELESS COMMUNICATION



## SPA 2400/80/9/0/DS

### Technical Data

#### Electrical Properties

Frequency range	2300 - 2500 MHz
Impedance	50 Ω
VSWR	1.5
Polarization	dual linear, ± 45° slant
Gain	8.5 dBi
3 dB beamwidth horizontal	80°
3 dB beamwidth vertical	70°
Downtilt	0°
Isolation between ports	30 dB
Front to back ratio	18 dB
Max. power	75 W (CW) at 25°C

#### Mechanical Properties

Dimensions	101 x 95 x 32 mm (3.98" x 3.74" x 1.26")
Weight	0.11 kg (0.24 lbs.)
Housing material	ASA and aluminium
Radome material	ASA
Radome color	RAL 7035 (light grey)
Mounting bracket color	RAL 7042 (dark grey)
Operating temperature range	- 40°C to + 80°C
Storage temperature range	- 40°C to + 80°C
Windload	15 N at 160km/h (100mph)

#### Available Types

Article no.	Article no.	
<a href="#">1324.19.0017</a>	22659413	SMA female
<a href="#">1324.26.0017</a>	22659722	TNC female
<a href="#">1324.35.0002</a>	84011334	QMA female

#### Mounting Hardware

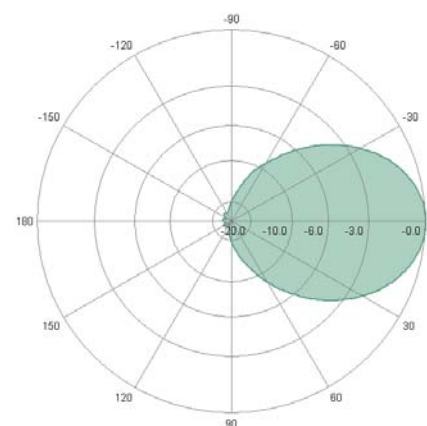
Article no.	Article no.	
<a href="#">9091.99.0029</a>	22649576	mast mounting accessory
<a href="#">9091.99.0080</a>	22652651	mast mounting and sidetilt accessory

Wall mounting material included.

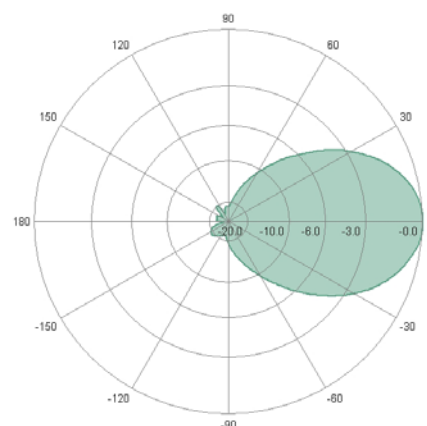
#### Documents

<a href="#">01.02.0777</a>	security instruction
<a href="#">01.02.1509</a>	mounting instruction

### Radiation Pattern



horizontal



vertical

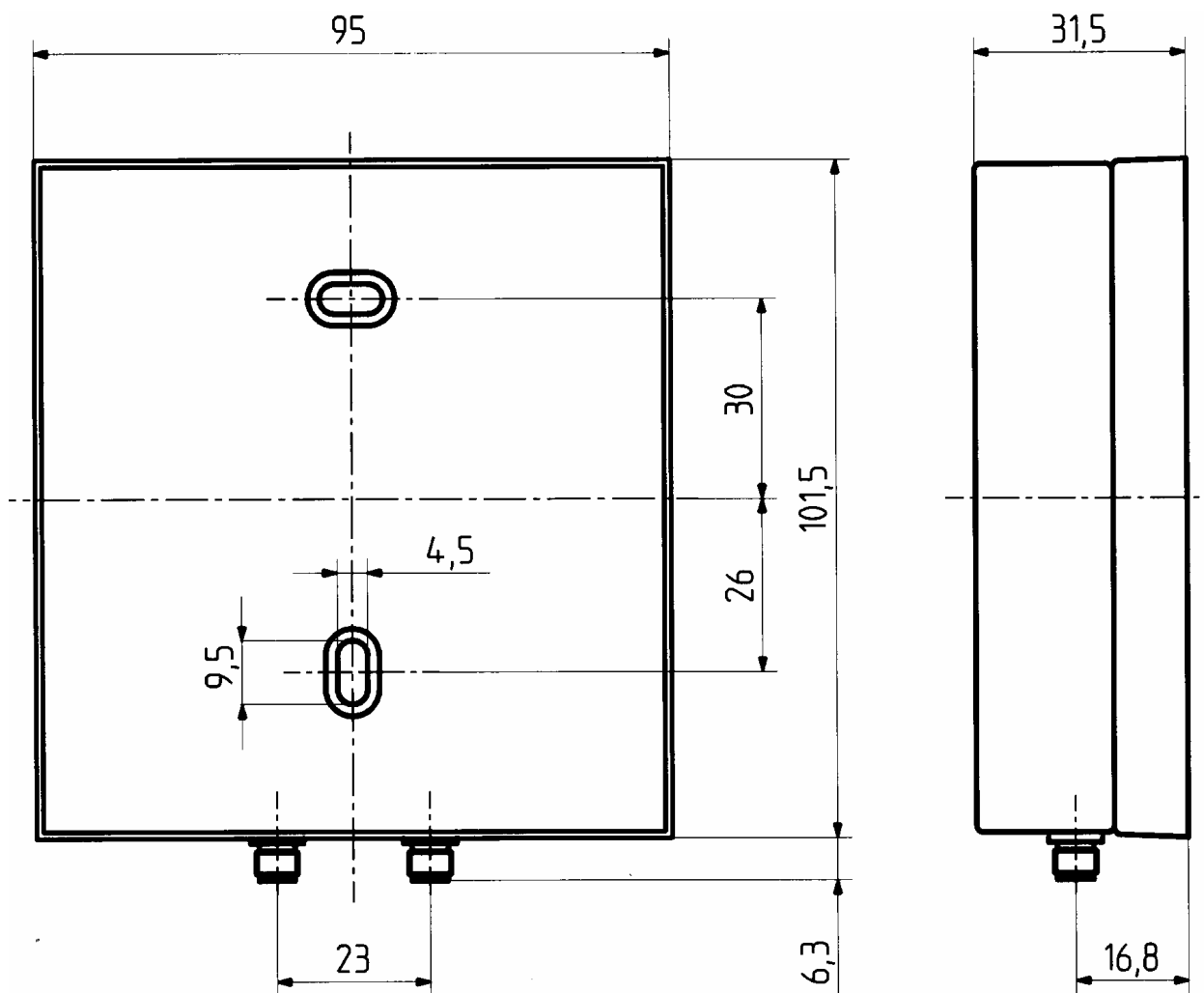




# HUBER+SUHNER® PLANAR ANTENNA FOR WIRELESS COMMUNICATION

**SPA 2400/80/9/0/DS**

Dimensions (mm)



**HUBER+SUHNER group is certified according to ISO 9001 and ISO 14001.**

**WAIVER!**

While the information contained has been carefully compiled to the best of our present knowledge, it is not intended as representation or warranty of any kind on our part regarding the fitness of the products concerned for any particular use or purpose and neither shall any statement contained herein be construed as a recommendation to infringe any industrial property rights or as a license to use any such rights. The fitness of each product for any particular purpose must be checked beforehand with our specialists.



HUBER+SUHNER AG  
Mobile Communications + Electronics Sector  
Communication Equipment Components  
CH-9100 Herisau, Switzerland  
Tel.: +41 (0)71 353 41 11  
Fax: +41 (0)71 353 47 51  
www.hubersuhner.com

Document no.: 01.02.0866

Issue no.: 5

Supersedes: 10.2004

**Uncontrolled Copy**

Issued/Checked/Released: 4159/4417/10.2004

Last amended: 4159

