



HUBER+SUHNER® SENCITY® RAIL ANTENNA FOR WIRELESS COMMUNICATION



SWA 0859/360/4/0/V

Multiband antenna: GSM 900, GSM 1800, GSM/PCS 1900, UMTS, 2.4, 3.5, 5.3 and 5.8 GHz Bands

Technical Data

Electrical Properties					
Frequency range (MHz)	870 - 960	1710 - 2170	2400 - 2700	3400 - 3700	5150 - 5875
Impedance	50 Ω				
VSWR	< 1.5	< 1.5	< 1.5	< 1.5	< 1.5
Polarization	linear, vertical				
Gain (using a 1 m ² ground plane)	6 dBi	8.5 dBi	9.5 dBi	9.5 dBi	8.5 dBi
Max. power	400 W (CW) at 50°C				

Mechanical Properties	
Dimensions	260 x 100 x 90 mm (10.24" x 3.94" x 3.54") <i>without mounting accessory 9091.99.0175</i>
Weight	1.1 kg (2.43 lbs.)
Housing material	aluminium powder painted RAL 7043 (dark grey)
Radome material	high impact acrylic styrene acrylonitrile (HRA150)
Radome color	RAL 7043 (dark grey)
Operating temperature range	- 40°C to + 80°C
Storage temperature range	- 55°C to + 85°C

Meets the following requirements:

- Degree of protection according to EN 60529 with splash waterproof level IP66 (only if correctly installed).
- EN 50155, electronic equipment used on rolling stock.
- EN 50124-1, insulation coordination (27.5 KV AC and 3.8 KV DC).
- High voltage and high current protection according to Deutsche Bahn specifications (protection against short circuits of 40 KA).

Available Types	Article no.	
1399.17.0039	23041568	N female

Mounting Hardware	Article no.	
9091.99.0175	23041581	Adapter panel ¹

¹: Allowing the replacement of the antenna from another antenna manufacturer, without any modifications of the mounting holes located on the vehicle's roof. Using this interface, the mounting hole dimension for the connector has to be 17 ... 42 mm and the antenna secured using four M10 screws.

Documents	
01.02.0777	security instruction
01.02.1510	mounting instruction

Material: The antenna is designed according the military standard MIL-F-14072D, which guarantees a long-life without corrosion.

Mounting: On a conductive surface clear of paint and other contaminants.
To ensure a correct sealing between the antenna and the roof, the connector mounting hole dimensions have to be 17 ... 42 mm. The antenna has to be secured using four M8 screws.

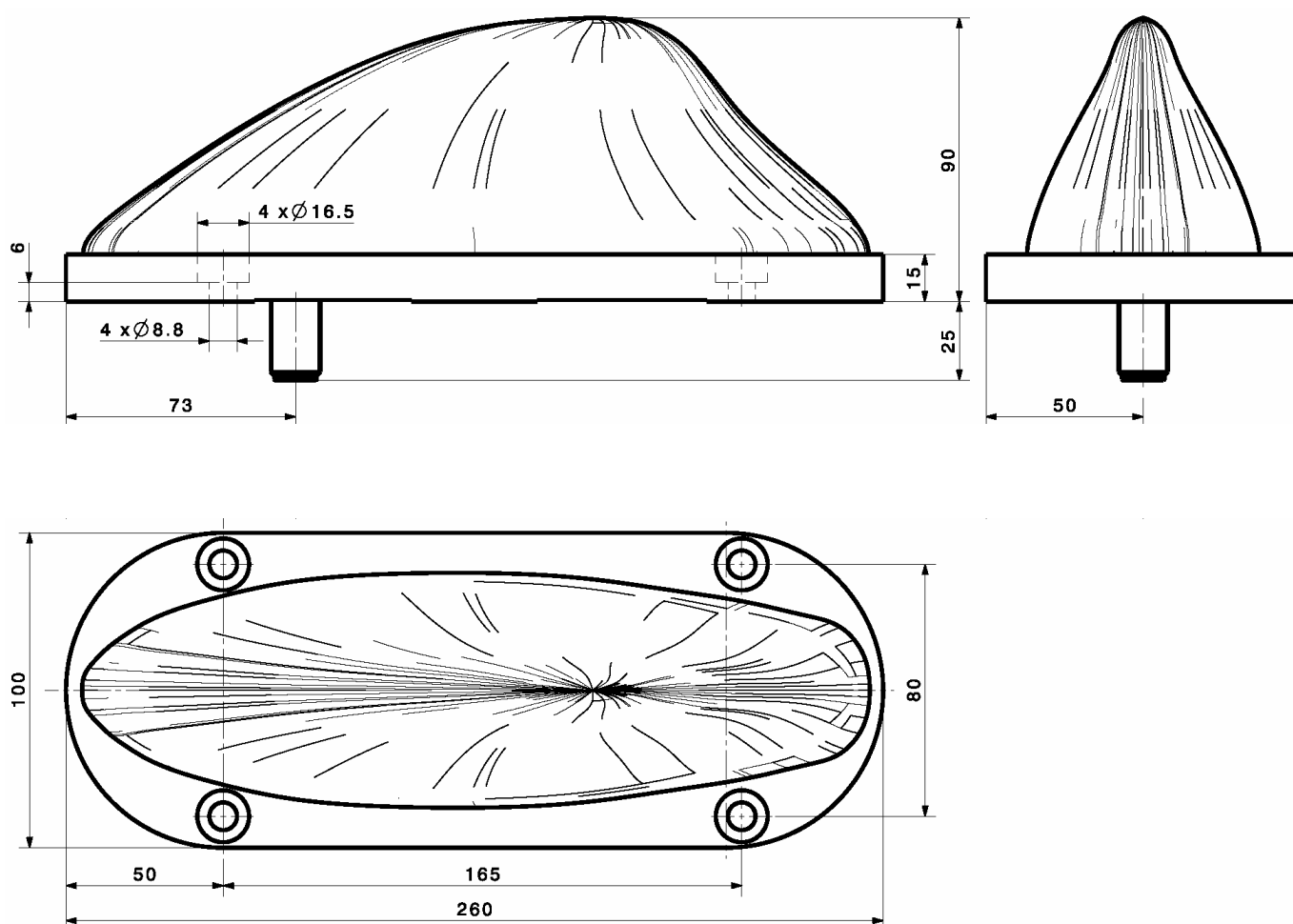
Grounding and high voltage protection: All antenna parts are grounded to protect against lightning and catenary lines according to UIC 533.



HUBER+SUHNER® SENCITY® RAIL ANTENNA FOR WIRELESS COMMUNICATION

SWA 0859/360/4/0/V

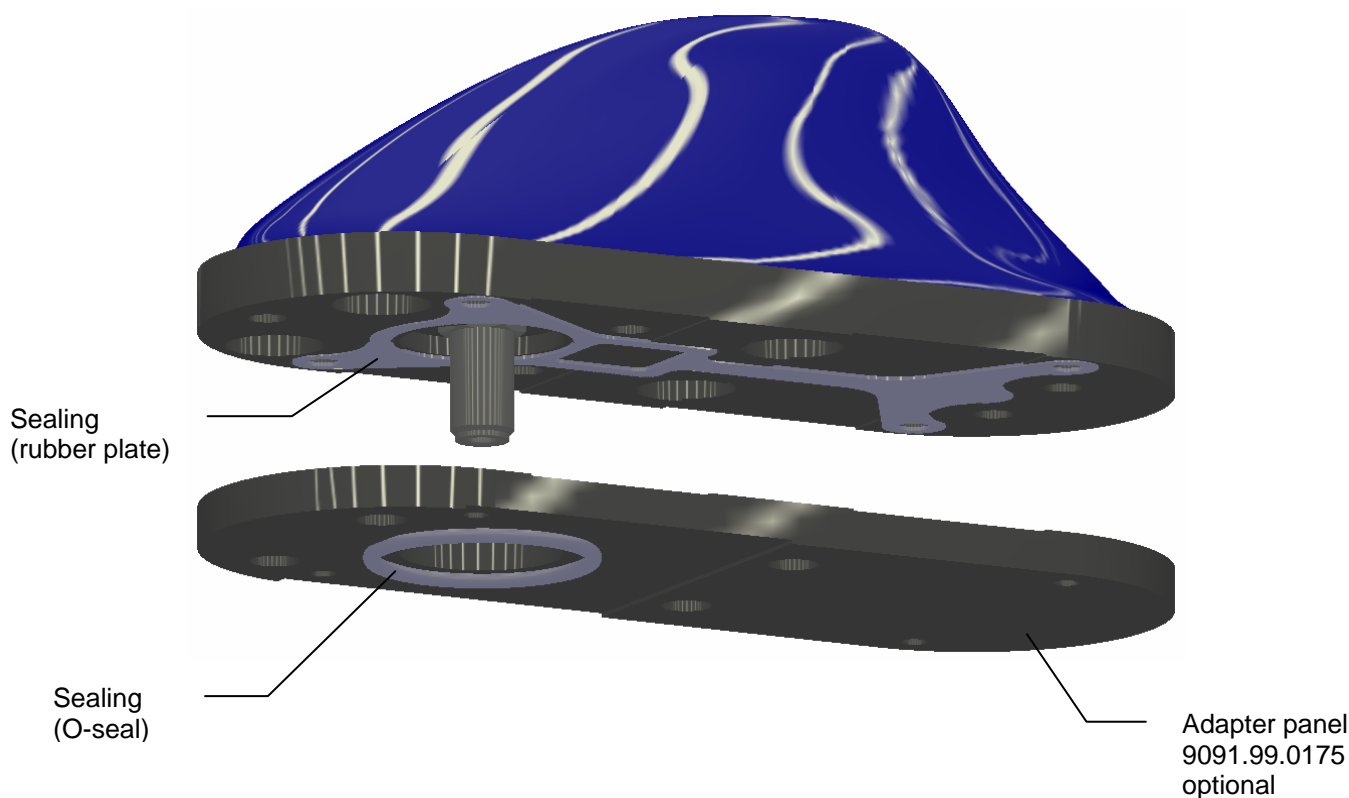
Dimensions (mm)





HUBER+SUHNER® SENCITY® RAIL ANTENNA FOR WIRELESS COMMUNICATION

SWA 0859/360/4/0/V



HUBER+SUHNER group is certified according to ISO 9001 and ISO 14001.

WAIVER!

While the information contained has been carefully compiled to the best of our present knowledge, it is not intended as representation or warranty of any kind on our part regarding the fitness of the products concerned for any particular use or purpose and neither shall any statement contained herein be construed as a recommendation to infringe any industrial property rights or as a license to use any such rights. The fitness of each product for any particular purpose must be checked beforehand with our specialists.



HUBER+SUHNER AG
Mobile Communications + Electronics Sector
Communication Equipment Components
CH-9100 Herisau, Switzerland
Tel.: +41 (0)71 353 41 11
Fax: +41 (0)71 353 47 51
www.hubersuhner.com

Document no.: 01.02.0948
Issue no.: 15
Supersedes: 10.2004

Uncontrolled Copy

Issued/Checked/Released: 4159/4472/10.2004
Last amended: 4159