



HUBER+SUHNER® OMNI ANTENNA FOR WIRELESS COMMUNICATION

SWA 2459/360/4/45/V

Technical Data

Electrical Properties

Frequency range	2400 - 5875 MHz
Impedance	50 Ω
VSWR	1.7
Polarization	linear, vertical
Gain	> 4.0 dBi
3 dB beamwidth horizontal	360°
Max. power	10 W (CW) at 25°C

Mechanical Properties

Dimensions	∅ 86 x 43 mm (∅ 3.39" x 1.69")
Weight	0.3 kg (0.66 lbs.)
Housing material	aluminium
Radome material	ASA
Radome color	RAL 7035 (light grey)
Operating temperature range	- 40°C to + 80°C
Storage temperature range	- 40°C to + 80°C
Windload	10 N at 160km/h (100mph)

Available Types

Article no.	
1399.17.0040	84000442 N female
1399.19.0024	84000441 SMA female

Mounting Hardware

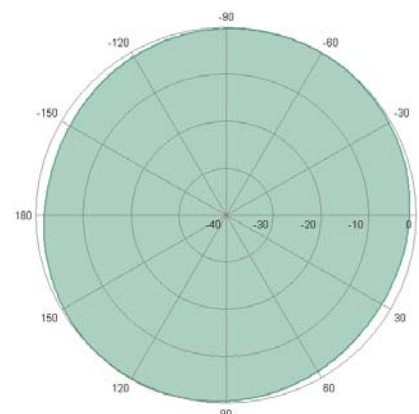
Ceiling mounting material included.

Documents

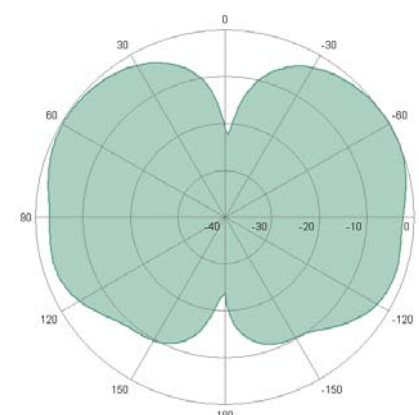
01.02.0777	security instruction
01.02.1089	mounting instruction



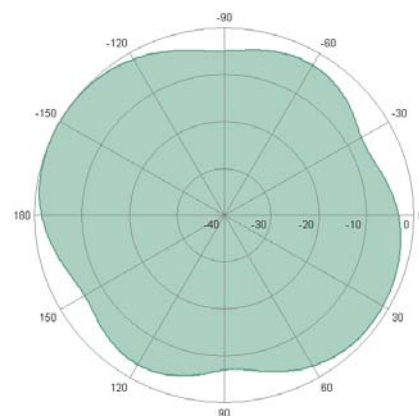
Radiation Pattern



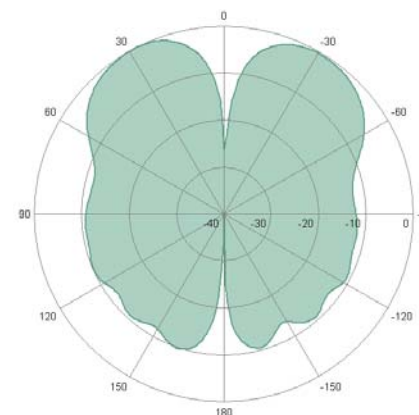
horizontal 2400 MHz



vertical 2400 MHz



horizontal 5600 MHz



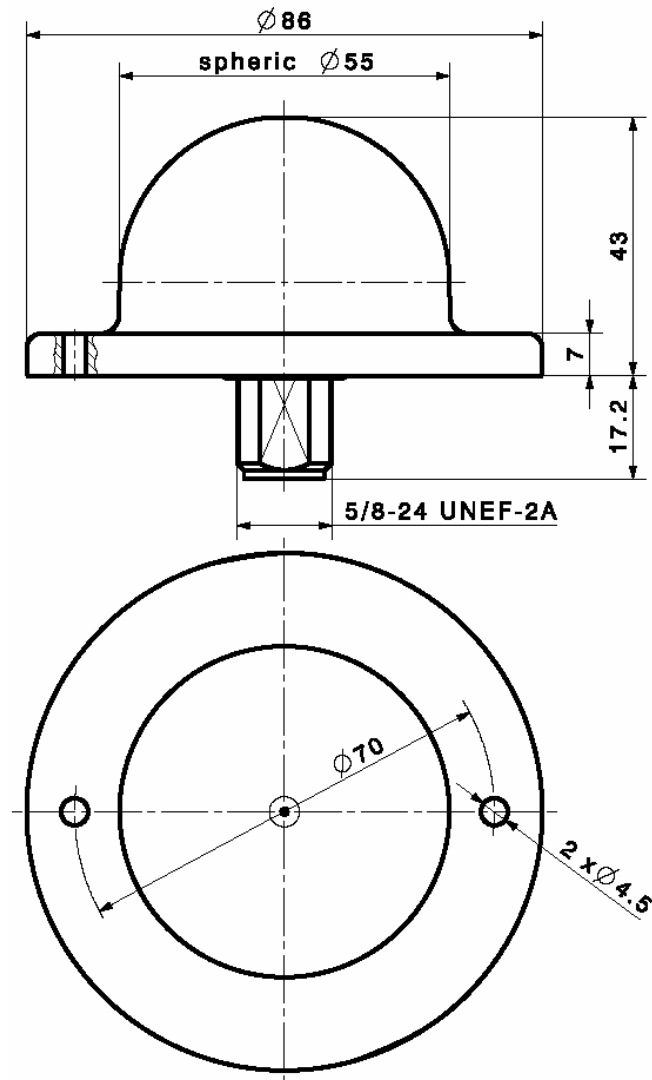
vertical 5600 MHz



HUBER+SUHNER® OMNI ANTENNA FOR WIRELESS COMMUNICATION

SWA 2459/360/4/45/V

Dimensions (mm)



HUBER+SUHNER is certified according to ISO 9001 and ISO 14001

WAIVER!

It is exclusively in written agreements that we provide our customers with warrants and representations as to the technical contained specifications and/or the fitness for any particular purpose. The facts and figures herein are carefully compiled to the best of our knowledge, but they are intended for general informational purposes only.

HUBER+SUHNER – Excellence in Connectivity Solutions

Document no.: 01.02.0964
Issue no.: 6
Supersedes: 10.2004

Uncontrolled Copy

Issued/Checked/Released: 4159/4772/07.2005
Last amended: 4159



HUBER+SUHNER AG

RF Technology

9100 Herisau, Switzerland

Phone +41 (0)71 353 41 11

Fax +41 (0)71 353 47 51

www.hubersuhner.com